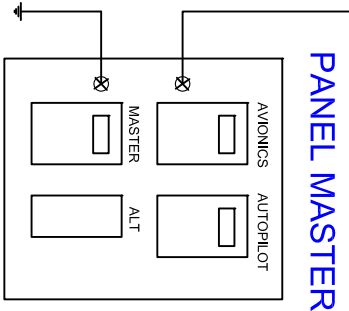
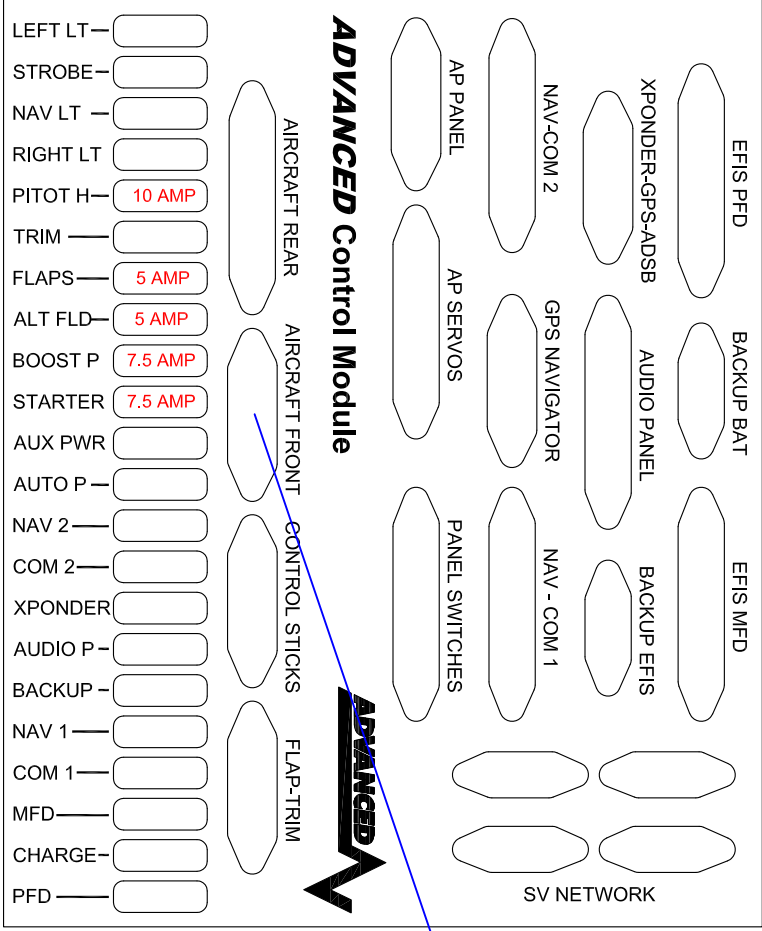


ACM Mounted on Sub Panel

AIRCRAFT FRONT CONNECTOR

**CAUTION**

Limit current from each pin to 5 amps max



ITEM	QTY	PART #	DESCRIPTION
1			Initial Drawing
REV	DATE	DESCRIPTION	
1	10/20/14		Initial Drawing
2			
3			
4			

DATE	SCALE	NONE
10/20/14		
REV	BY	APP
1	RAH	RAH
2		
3		
4		

DATE	SCALE	NONE
10/20/14		
REV	BY	APP
1	RAH	RAH
2		
3		
4		

DATE	SCALE	NONE
10/20/14		
REV	BY	APP
1	RAH	RAH
2		
3		
4		

**ADVANCED FLIGHT SYSTEMS INC.**  
 PHONE: (503) 263-0037 FAX: (503) 263-1138  
 320 REDWOOD ST  
 CANBY, OR 97105

**ADVANCED FLIGHT SYSTEMS INC.**  
 PHONE: (503) 263-0037 FAX: (503) 263-1138  
 320 REDWOOD ST  
 CANBY, OR 97105

**TIME WIRING DIAGRAM**  
 ACU Front Aircraft Harness 57,840