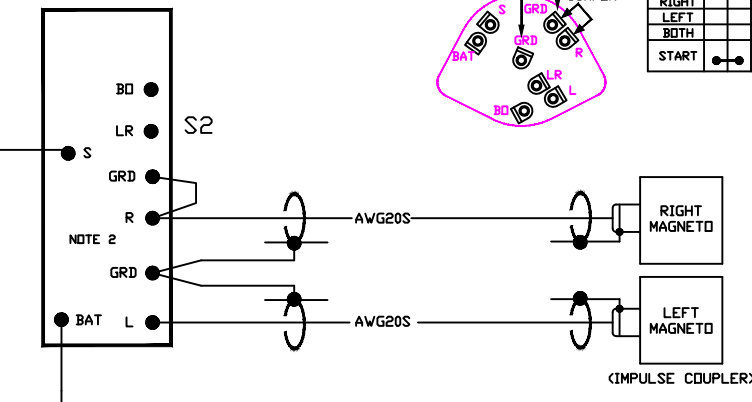


**KEY SWITCH**

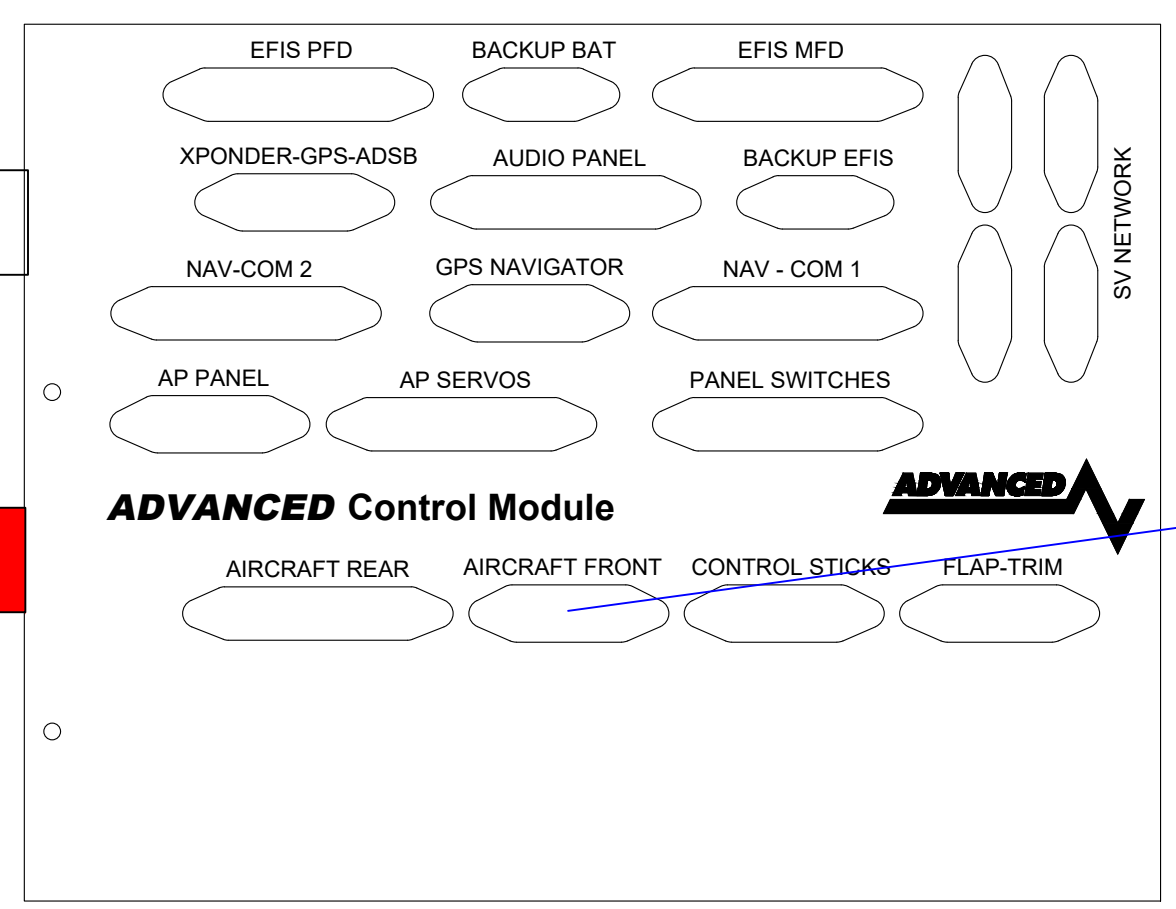


NOTE 1

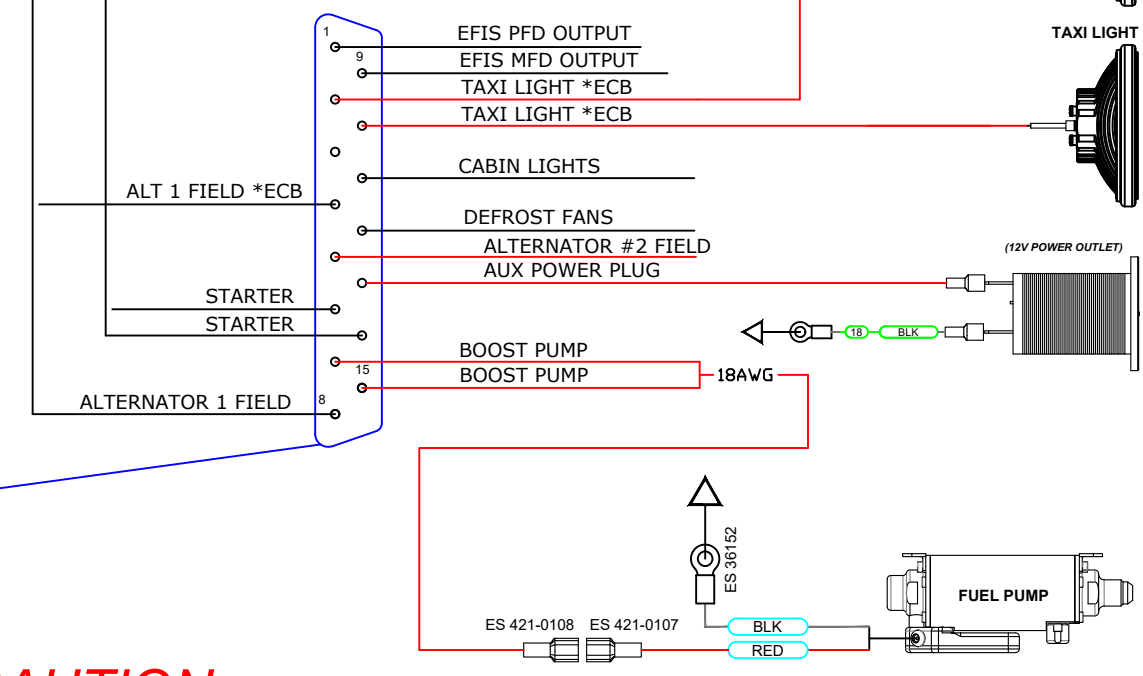
POSITION	BAT	S	BO	GRD	LR	L	R	GRD
OFF								
RIGHT								
LEFT								
BOTH								
START								

NOTE 2

**ACM Mounted on Sub Panel**



**AIRCRAFT FRONT CONNECTOR**



**CAUTION**  
Limit current from each pin to 5 amps max

ITEM	QTY	PART #	DESCRIPTION
NOTES:			
<p><b>ADVANCED FLIGHT SYSTEMS INC.</b> PHONE: (503) 263-0037 FAX: (503) 263-1138 320 REDWOOD ST CANBY, OR 97013</p>			
DATE	10/20/14	SCALE	NONE
DRN.	RJH	APPR.	RJH
<p>This drawing is the property of Advanced Flight Systems Inc. and contains confidential information. It is not to be copied, reproduced or used without written approval.</p>			
TITLE	WIRING DIAGRAM	P/N	57840
REV	DATE	DESCRIPTION	REV BY
5	3/14/19	Initial Drawing	RJH
1	10/20/14	Initial Drawing	RJH