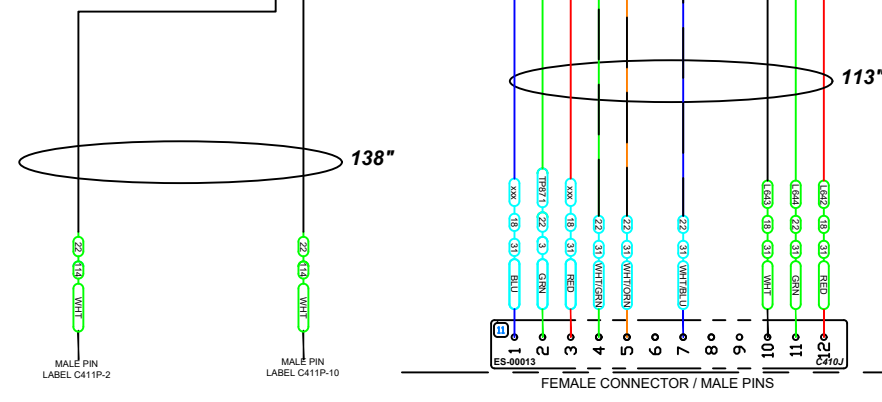
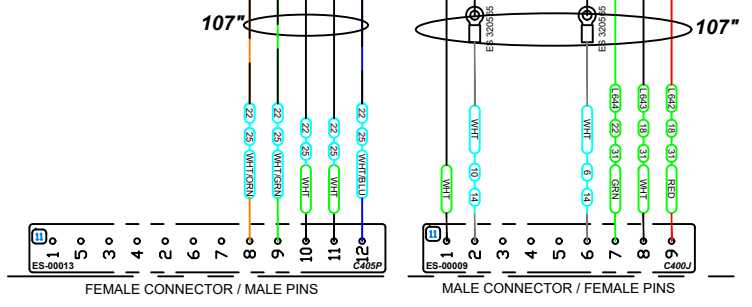
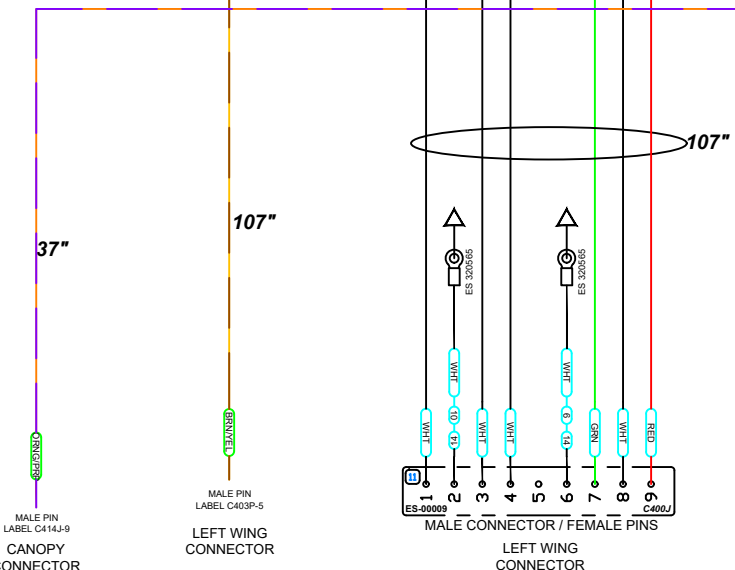
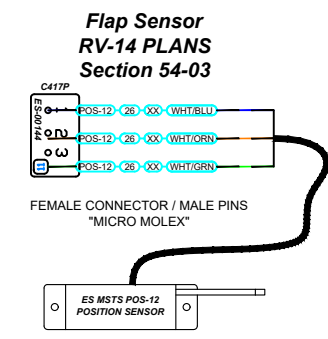
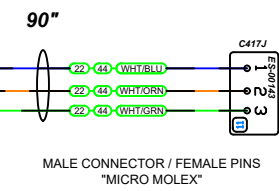
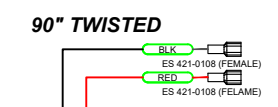


*AF-5000 ONLY
For Dynon HDX Cut Wires and
connect to SV-EMS-200 Module



REV	DATE	DESCRIPTION	REV BY
8	5/27/20	Changed Flap sensor molex pins	RJH
7	4/6/20	Added Note for Skyview	RJH
6	2/18/19	Updated Color Code	SR

ITEM	QTY	PART #	DESCRIPTION
NOTES:			
			PHONE: (503) 263-0037 FAX: (503) 263-1138 320 REDWOOD ST CANBY, OR 97013
DATE 8/07/14 SCALE NONE DRN: IRB APPR: RJH			TITLE RV 14 AIRFRAME P/N 57851 REV. 8