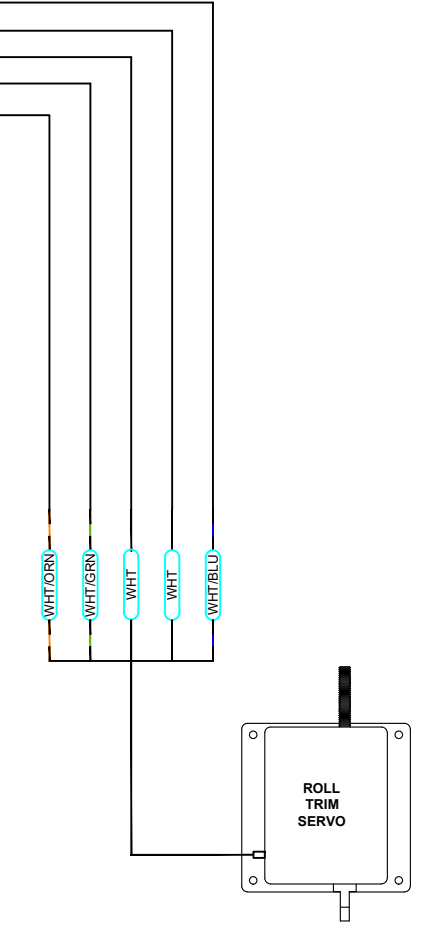
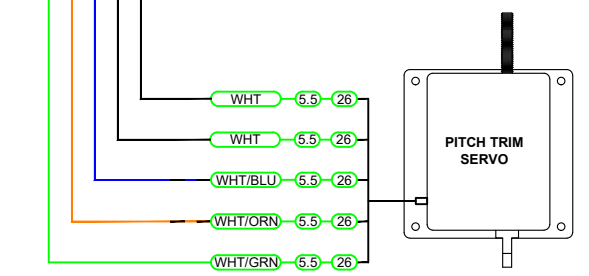
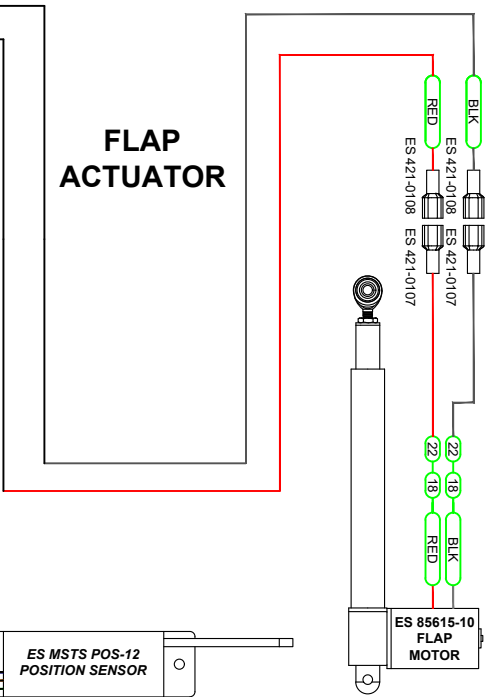
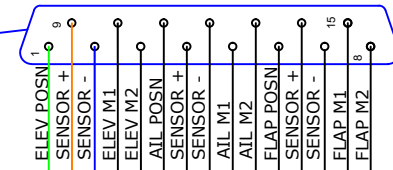
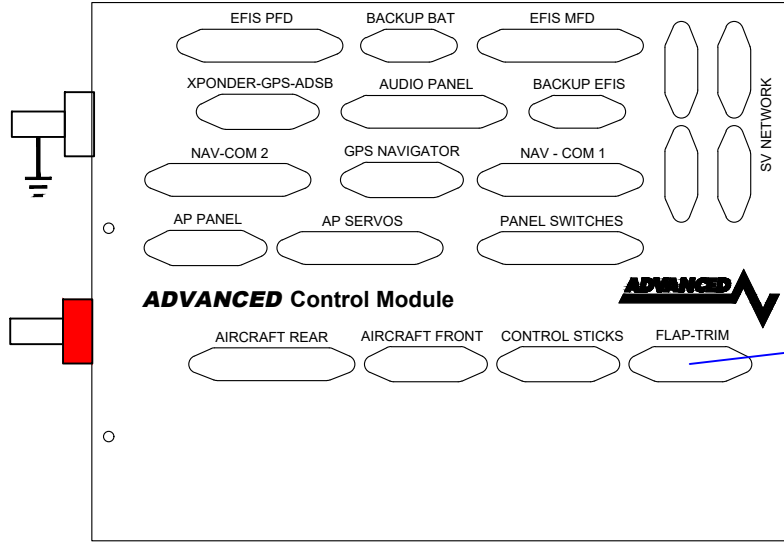


ACM Mounted on Sub Panel



Harness Lengths

Aircraft	Pitch	Roll	Flaps
RV-10	20ft	10ft	10ft

**CAUTION**  
Limit current from each pin to 5 amps max

REV	DATE	DESCRIPTION	REV BY
3	5/16/19	RV-10 Lengths	RJH
1	10/20/14	Initial Drawing	RJH

ITEM	QTY	PART #	DESCRIPTION
NOTES:			
PHONE: (503) 263-0037 FAX: (503) 263-1138 320 REDWOOD ST CANBY, OR 97013			
DATE 2/6/15		SCALE NONE	
DRN: RJH		APPR: RJH	
This drawing is the property of Advanced Flight Systems Inc. and contains confidential information. It is not to be copied, reproduced or used without written approval.			REV. 3
TITLE WIRING DIAGRAM Flap and Trim Harness			P/N 57870 B