

- RED Pitch Servo POWER
- BLK Pitch Servo GROUND
- GRN Pitch Servo Data 1A
- BLU Pitch Servo Data 1B
- WHT/GRN Pitch Servo Data 2A
- WHT/BLU Pitch Servo Data 2B
- ORN Pitch CW STEERING
- WHT/RED YAW DISCONNECT

ACM Pin 10 << FLAP/TRIM HARNESS
ACM Pin 3 ELEV Trim Motor

Van's Supplied Wiring

Pin 4 << Tail Cone AFT Deck
Pin 5 Connector C409P

P/N: 57481 Rear Servo Harness

25"

C411P

MALE PINS
FEMALE PINS

- RED Pitch Servo POWER
- BLK Pitch Servo GROUND
- GRN Pitch Servo Data 1A
- BLU Pitch Servo Data 1B
- WHT/GRN Pitch Servo Data 2A
- WHT/BLU Pitch Servo Data 2B
- ORN Pitch CW STEERING

C405P

RIGHT WING

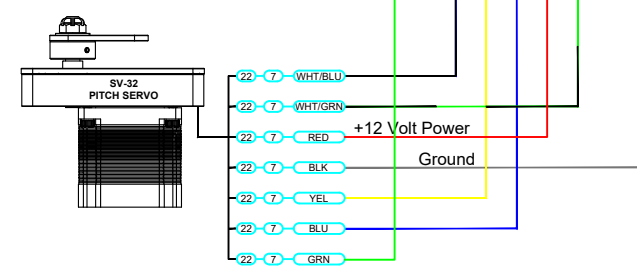
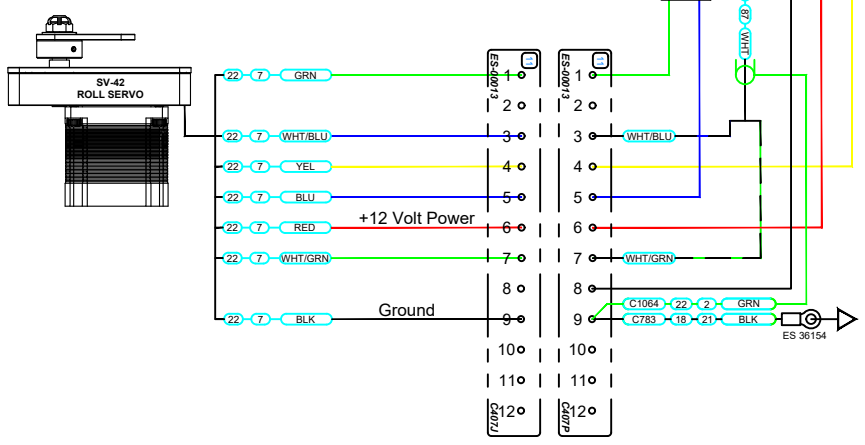
10"

MALE PINS
FEMALE PINS

MALE PINS
FEMALE PINS

YAW SERVO

DYNON SV42



REV	DATE	DESCRIPTION	REV BY
9	6/14/21	Changed Extension length to 25"	RJH
7	2/18/19	Rescaled	SR
2	2/18/19	Corrected Color Codes	SR
1	2/15/16	Initial Drawing	RJH

ITEM	QTY	PART #	DESCRIPTION
NOTES:			
<p>ADVANCED FLIGHT SYSTEMS INC.</p> <p>PHONE: (503) 263-0037 FAX: (503) 263-1138 10714 S. TOWNSHIP RD CANBY, OR 97013</p>			
DATE 2/15/16		SCALE NONE	
DRN: RJH		APPR: RJH	
This drawing is the property of Advanced Flight Systems Inc. and contains confidential information. It is not to be copied, reproduced or used without written approval.			
TITLE RV-14		P/N	REV.
AP Servo Harness		57476	B 9