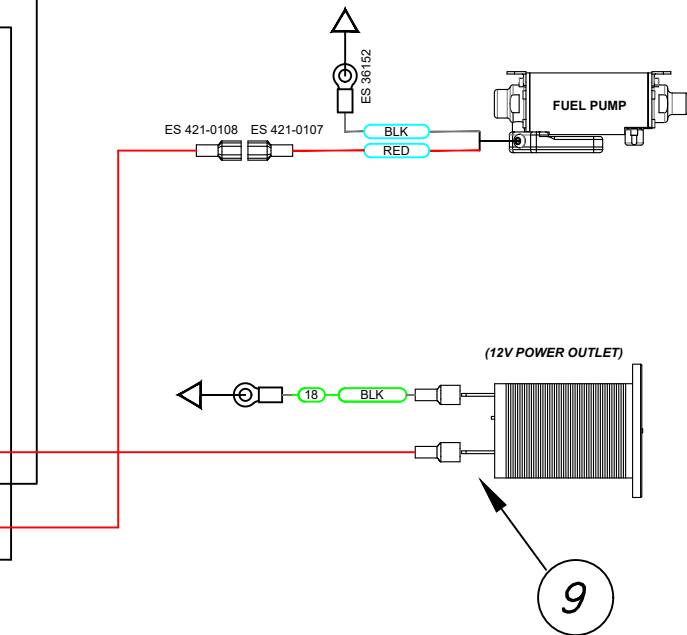


NOTE 1  
NOTE 2

POSITION	BAT	S	BD	GRD	LR	L	R	GRD
OFF								
RIGHT								
LEFT								
BOTH								
START								



ITEM	QTY	PART #	DESCRIPTION
11	1	57843	Canopy Harness
10	1	10AWG-8-10R-10R	Ground Harness
9	1	73141	Panel Power Jack
8	1	18AWG-48-10R-6R	Cable (Starter Relay to Key Switch)
7	1	18AWG-48-10R-6R	Cable (Master Relay to Master Switch)
6	2	18SAWG-72-6R-8R	Cable (Key Switch to Mag)
5	1	8AWG-6-1/4R-1/4R	Cable (CB to Shunt)
4	1	8AWG-48-1/4R-1/4R	Cable (Shunt to ACM Power Post)
3	1	73360	60 Amp Alternator Circuit Breaker
2	1	68101	Cover Plate (Shunt & Alt CB)
1	1	57841	Front Aircraft Harness

NOTES:

**ADVANCED FLIGHT SYSTEMS INC.**  
 PHONE: (503) 263-0037 FAX: (503) 263-1138  
 320 REDWOOD ST  
 CANBY, OR 97013

DATE 6/1/2016 SCALE NONE  
 DRN: RJH AFRV: RJH

This drawing is the property of Advanced Flight Systems Inc. and contains confidential information. It is not to be copied, reproduced or used without written approval.

TITLE RV-14 Aircraft Front Wiring P/N 57842 REV. B 18

REV	DATE	DESCRIPTION	REV BY
18	8/21	Added Dimmer wiring	RJH
17	9/19	Fixed Starter Relay Direction	RJH
16	12/18	Updated Ring terminal sizes and Power Plug P/N	RJH
14	1/18	ADDED CANOPY WIRING DETAIL	RJH